

BELT FEEDERS

MECHANICAL SAMPLING SYSTEMS BELT FEEDERS

SGS sampling equipment is manufactured and tested under strict control by experienced SGS engineers. SGS has been designing and developing mechanical sampling systems more than 30 years.

SGS uses tried and proven designs for sampling equipment, but has the capability of designing unique solutions to specific sampling problems when necessary.

ADVANTAGES AND KEY HIGHLIGHTS:

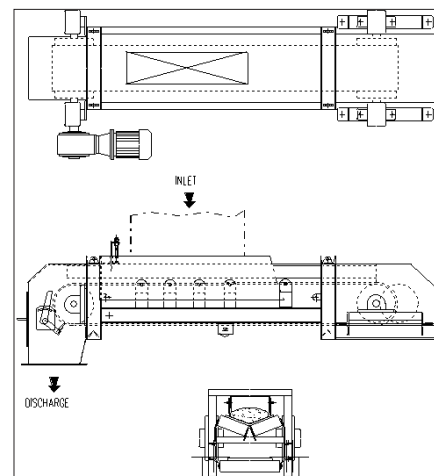
- Low maintenance, positive drive
- Controlled and adjustable feed rate where necessary
- Spillage minimized
- Minimized build up of material on the tail pulley
- Adjustable belt tension and tracking
- Sample integrity maintained \

FEATURES:

- Troughed belt designs for 350 and 500 mm wide belts as standard
- Shaft mounted drive
- Three ply belt with stainless steel clipped joint as standard
- Externally adjustable belt scraper
- Stainless steel screw take-up units
- Sample feeders fully skirted with an inverted “U” section of stainless steel with adjustable rubber skirts in contact with the belt

OTHER AVAILABLE FEATURES:

- Variable speed drive
- Profile gate to vary bed depth of material being conveyed
- Lagged head and tail pulleys
- Return plough when conveying coarse material
- Weather protection covers



CONTACT INFORMATION

Email us at minerals@sgs.com
www.sgs.com/mining



WHEN YOU NEED TO BE SURE

SGS